

More  
disorders,  
less  
downtime.



revvity

Q Sight® 225 MD UHPLC Screening System

# Everything comes together to deliver more screening



## **The QSight 225 MD UHPLC-MSMS screening system – designed to support full MSMS workflow**

The QSight™ 225 MD system consistently enables the throughput and productivity you need in your clinical laboratory. Our solution delivers a unique combination of self-cleaning MSMS instrumentation, a simple three-step method-setup process, and a unique dual source design in a compact, easy-to-use design.

- Dual Source technology gives you the capability to set ESI or APCI modes, with two independent probes for true multiplexing without reconfiguring the system
- StayClean™ Source, self-cleaning design for maximum sensitivity
- Laminar Flow Ion Guide™ for efficient field-free transmission, providing low maintenance requirements
- Designed with class-leading sample capacity for high throughput
- Optimized UHPLC workflows: integrated column switcher to easily switch between applications and runs without replumbing
- Modular Simplicity™ 3Q MD software to acquire, quantify, and report with flexible data viewing options and powerful remote diagnostics
- Published application notes to guide method setup for a variety of clinical applications



# Designed to support full MSMS workflow

## QSight 225 MD UHPLC mass spectrometer specifications

Mass range	5-1500 m/z
Analysis modes	Q1, Q3, MRM, Time-Managed MRM, SIM, Neutral Loss, Production Ion, Precursor Ion
Dynamic range	6 orders
Ion source	ESI/ESI, ESI/APCI, APCI/ESI, APCI/APCI
Interface	Hot Surface Induced Desolvation (HSID)
Nebulizer gas	Nitrogen/Zero Air
Heating gas	Nitrogen/Zero Air
Heating gas temp.	0-900 °C
Source light	Yes
Vertical mount	Yes
Electronics serviceability	Modular plug and play
Dimensions	50 x 50 x 120 cm (W x D x H)
Software	Simplicity 3Q MD; Service Tool
Remote access	Yes



Products in this brochure may not be available in all countries. Confirm availability with your local Revvity representative.

**QSight MD UHPLC pump**

Flow rates	10-2000 µL/min settable in increments
Flow precision	≤ 0.075 % RSD
Dimensions	330 x 180 x 540 mm (W x D x H)
Pressure range of UHPLC pump	0-1300 bar/18850 psi
Pressure range of full screening system	0-1000 bar/14500 psi



**QSight MD UHPLC autosampler**

Injection volume	1 to 80 uL in 1uL increments
Precision	< 0.5 % RSD with 10 or 20 µL loop partial filling
Dimensions	600 x 795 x 770 mm (W x D x H)
Capacity	6 drawers x 2 MTP plates (12 plate capacity) and 3 drawers x 2 Vial plates (6 plate capacity)



**QSight MD UHPLC autosampler**

Temperature range	5 °C-75 °C, with 1 °C increments (cooling is ~18 °C maximum below ambient)
Accuracy and stability	Better than 0.1 °C
Adjustment increments	1 °C increments
Capacity	6 drawers x 2 MTP plates (12 plate capacity) and 3 drawers x 2 Vial plates (6 plate capacity)



Products in this brochure may not be available in all countries. Confirm availability with your local Revvity representative.



# Simplicity 3Q MD software

With Simplicity 3Q software, it's all about making the QSight instrument simple and easy to use. With a graphical user interface and guided three-step workflow, the software can be up and running - and generating results - right away. This modular software suite is designed for intuitive, straightforward operation, with wizards guiding you through the workflow, from method development to results processing and reporting.

Capable of real-time acquisition of thousands of MRMs per run, with results shown in real time, Simplicity 3Q MD software enables you to monitor data acquisition as it occurs, as well as review results after each run.

## Simplicity 3Q MD Acquire Module

A great solution for data acquisition, the Simplicity 3Q MD Acquire streamlines acquisition method development and batch acquisition, with high levels of automation. For batch acquisition, it delivers a simple sample editor with an integrated concentration table, and easy table controls.

## Simplicity 3Q MD Quant Module

For data analysis and reporting, the Simplicity 3Q MD Quant module quantifies your samples by adjusting the integration parameters in an easy and intuitive way.

The Simplicity 3Q MD Result Processor delivers a live view of processed samples as well as flexible multi-analyte viewing and overlay plotting. It also provides total ion currents (TICs) and extracting ion currents (XICs) for data exploration and evaluation.



Guided three step workflow



Batch list creator with integrated concentration table

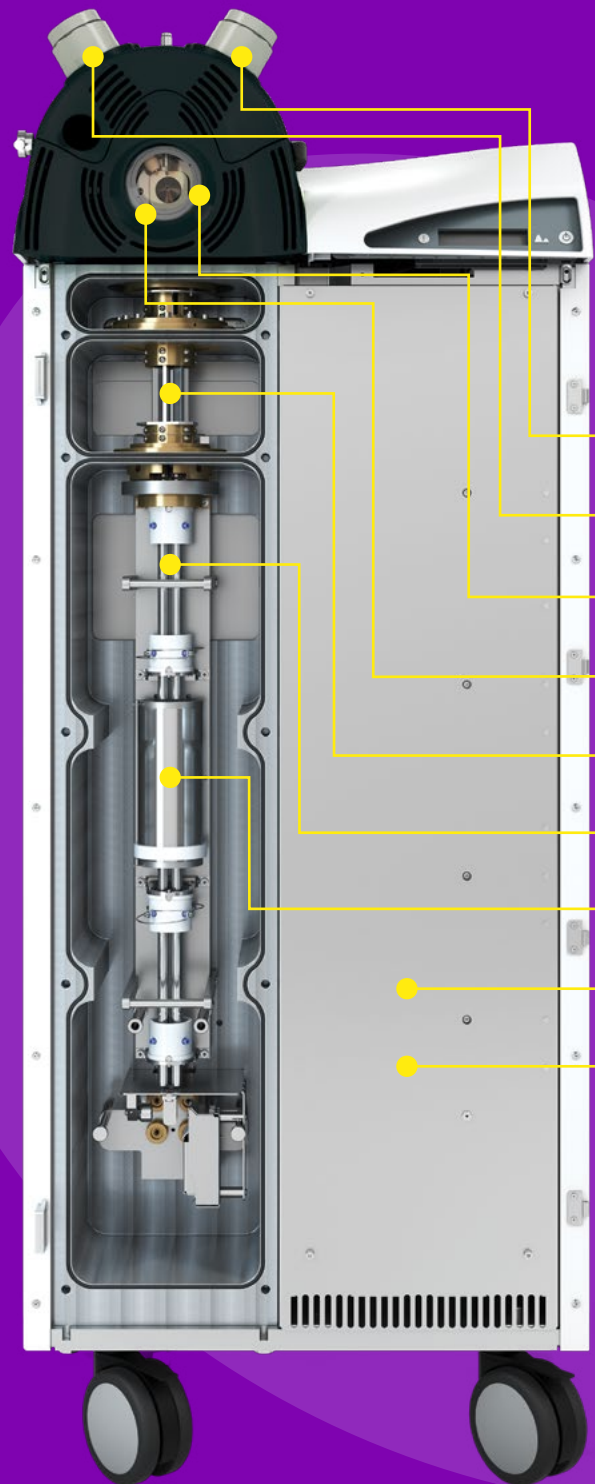


Results processor with live view of processed samples and results

Products in this brochure may not be available in all countries. Confirm availability with your local Revvity representative.



# Inside and out, it's MSMS done right



- **QSight** - Features plug-and-play probes
- **Dual source** - Dual source with automatic switching - no need to stop to change plumbing
- **StayClean™ source** - Self-cleaning design delivers exceptional sensitivity
- **HSID interface** - Provides low background and reliable results day after day, with equal response at any flow rate
- **Laminar Flow Ion Guide™** - Delivers highly efficient field-free high transmission
- **Mass filters** - Feature high-quality precision rods that deliver highly stable, precise mass filtering
- **Collision cell** - Fast, efficient fragmentation (fast MRMs) shortens analysis times with zero crosstalk
- **Small footprint, vertical design** - Compact 50 cm x 50 cm x 110 cm form factor - no benchtop needed
- **Modular** - Plug-and-play design for ease of service



High sensitivity and productivity

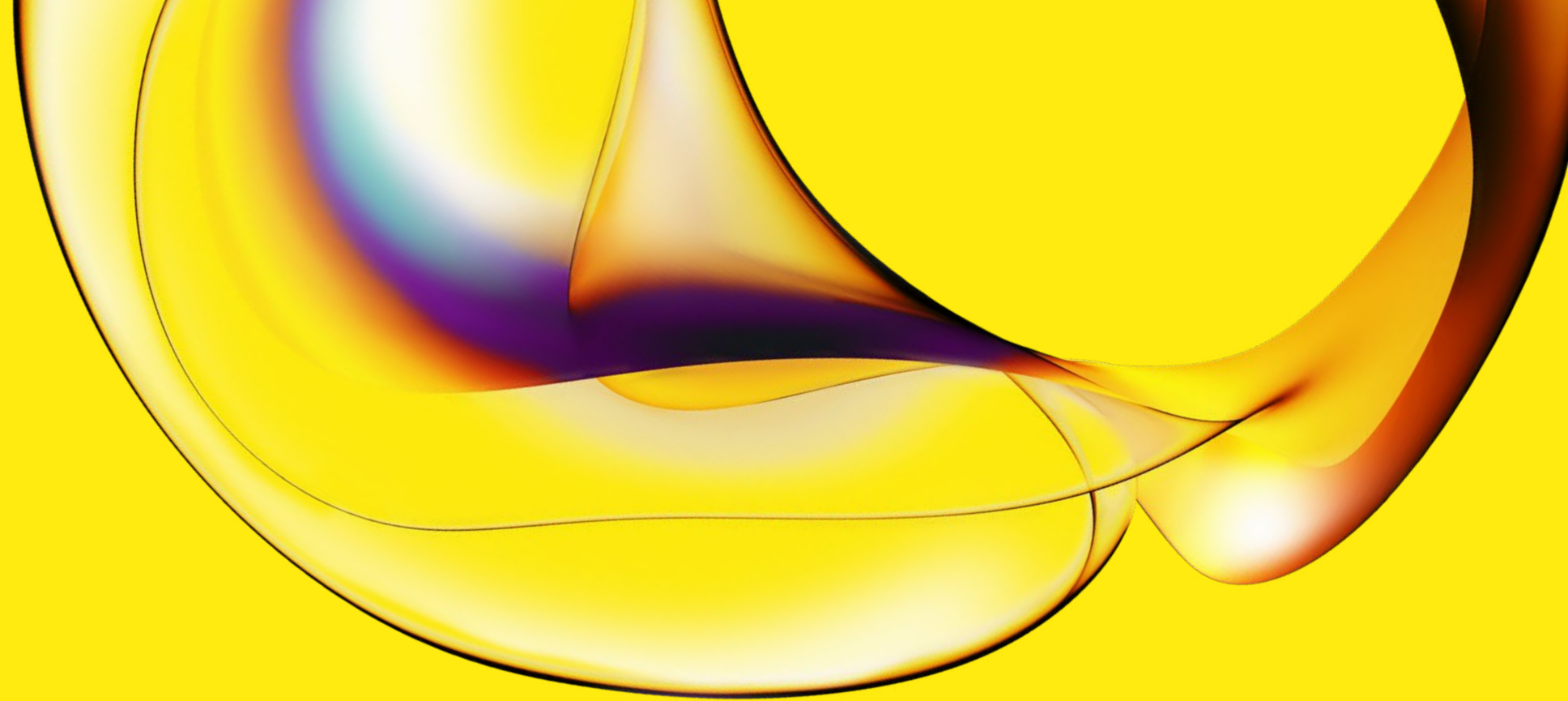


High throughput, low maintenance



Compatibility with Revvity assays

Products in this brochure may not be available in all countries. Confirm availability with your local Revvity representative.



[www.revivity.com](http://www.revivity.com)

revivity

For a complete listing of our global offices, visit [www.revivity.com](http://www.revivity.com)  
Copyright ©2024, Revvity, Inc. All rights reserved.

1275515